



CSE 610 SLKC.



Half-ridged, half smooth chrome electric grill.

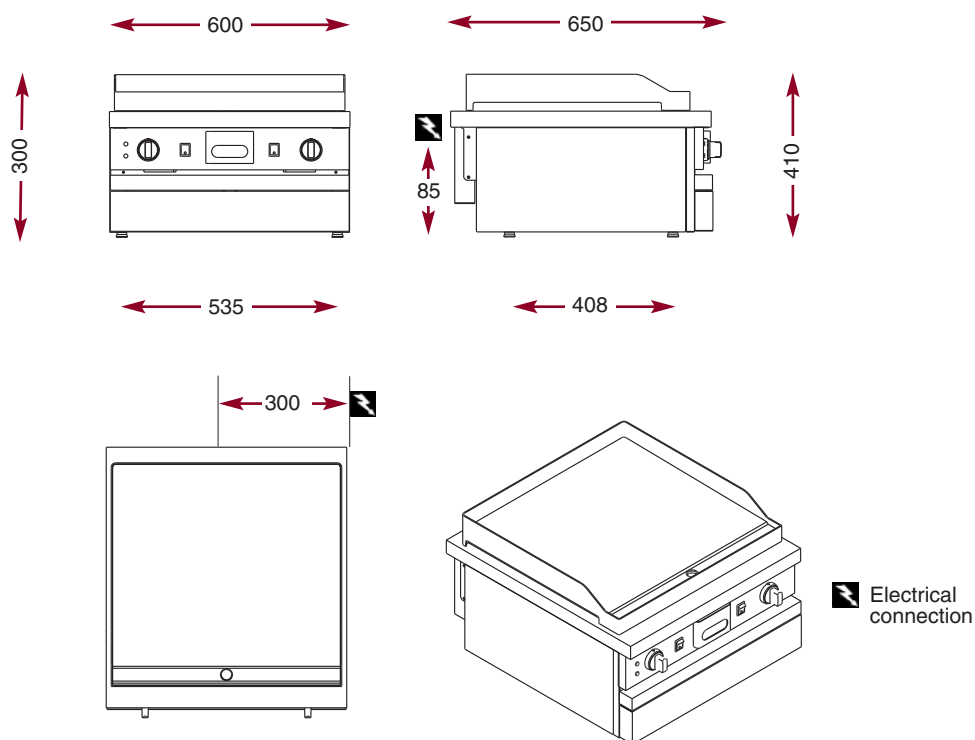
- 15 mm-smooth steel grill.
- 30-micron hard chrome coating
- Cooking surface: 567 x 495 mm (28 dm²).
- Collection channel for juices with drainage outlet at the front of the grill.
- Removable oil trap, capacity: 1.5 L.
- Welded 30/10 stainless steel splash-guard, perfectly watertight.
- Power: 4.4 kW.
- Electric supply: 230 V single phase or three-phase 400 V + N + E.
- 2 independent heating zones with variable power control.
- Variable power control switch and automatic temperature limitation to 300°C.

CSE 610 SLKC W 600 - D 650 - H 300



Oil trap.

Module - Half-ridged, half smooth chrome electric grill CSE 610 SLKC



The modules have the same features and performances as the cupboard units. They are designed to be fixed onto tubular steel supports but can also be installed on stainless steel or tiled worktops.

Tubular stainless steel supports for the modules. (All the supports are made of Ø 60mm stainless steel tubes and are fitted with a stainless steel shelf and height adjustable feet).

Ref.	Dimensions
SSK 400	W 400 - D 540 - H 600
SSK 600	W 600 - D 540 - H 600
SSK 700	W 700 - D 540 - H 600
SSK 800	W 800 - D 540 - H 600
SSK 1000	W 1000 - D 540 - H 600
SSK 1100	W 1100 - D 540 - H 600
SSK 1200	W 1200 - D 540 - H 600
SSK 1300	W 1300 - D 540 - H 600
SSK 1400	W 1400 - D 540 - H 600
SSK 1500	W 1500 - D 540 - H 600
SSK 1600	W 1600 - D 540 - H 600



AMBASSADE
DE BOURGOGNE

The Chef's Choice.