



CG 841 P.

CE

Cooker with 4 burners, 1 gas oven 620 x 400

- Body and front in stainless steel.
- Stainless steel legs with adjustable feet. Height: 150/175 mm.

Hob

- Dimensions: 800 x 650 mm.
- Thermocouple safety to each burner.
- 2 x 3 kW burners, 2 x 4 kW burners.
- Cast iron pan supports.

Oven

- Interior dimensions: W 620 - D 455 - H 305 mm.
- 4 kW burners with thermostatically controlled flame.
- Thermocouple safety.
- Thermostat.
- Standard equipment: 1 oven rack, 1 enamelled roasting dish.

CG 841 P

W 800 - D 650 - H 900

Variations:

HOB

SB 138 1 x 1.5 kW or 1 x 4 kW burner instead of 1 x 3 kW burner

SB 238 2 x 4 kW burners instead of 2 x 3 kW burners

SAE Electric ignition on all gas burners

OVEN (instead of gas oven)

SFE 001 1 x static electric oven with grill (3.6 kW)*

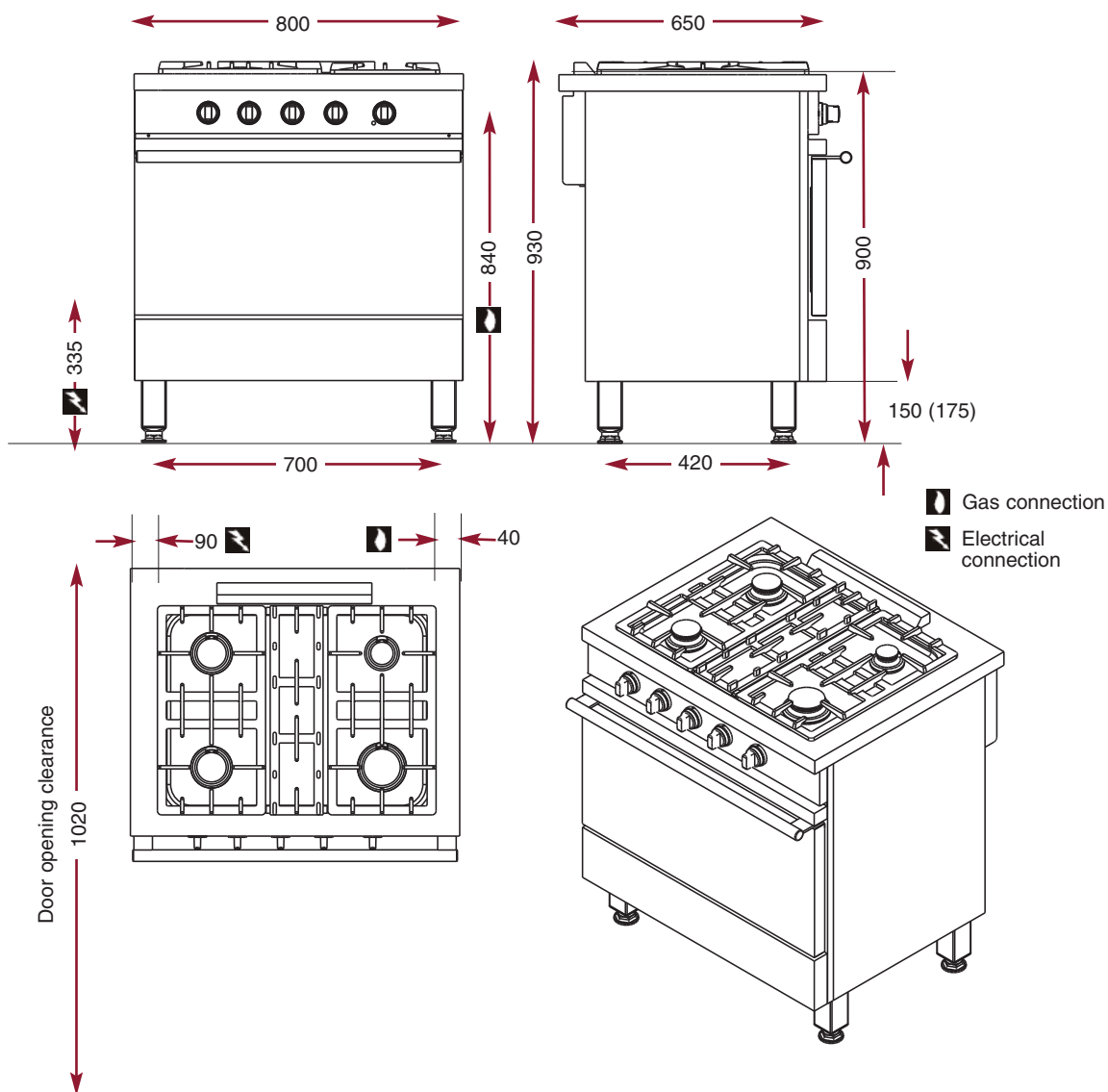
SFCT 001 1 x convection oven (3.4kW) (230V single phase)

SGE 001 Electric grill (in convection oven)

*With 400V installation (without N phase), additional cost.

4 gas burners, 1 gas oven

CG 841 P



AMBASSADE
DE BOURGOGNE

N° 5 bis - 2

The Chef's Choice.