



## Gas ranges with Gastronorm oven



### CG 1051 GA.



Cooker with 5 burners, 1 Gastronorm 1/1 gas oven.

- Body and front in stainless steel.
- Stainless steel legs with adjustable feet. Height: 150/175 mm.

#### Hob

- Dimensions: 1000 x 650 mm.
- Thermocouple safety to each burner.
- 2 x 3 kW burners, 1 central 5 kW burner, 1 x 4 kW burner and 1 x 1.5 kW burner.
- Cast iron pan supports.

#### Oven

- Interior dimensions: W 530 - D 400 - H 305 mm.
- 4 kW burner with thermostatically controlled flame.
- Thermocouple safety.
- Thermostat.
- Standard equipment: 1 oven rack.

#### Storage cupboard.

**CG 1051 GA**

W 1000 - D 650 - H 900

#### Variations:

##### HOB

**SB 138** 1 x 4 kW burner instead of 1 x 3 kW burner

**SB 238** 2 x 4 kW burners instead of 2 x 3 kW burners

**SB 104** 1 x 4 kW burner instead of 1x 1.5 kW burner

**SAE** Electric ignition on all gas burners

##### OVEN (instead of gas oven)

**SFE 530** 1 x static electric oven with grill (3.1 kW)

**SFCT 530** 1 x convection oven (3.4 kW) (230 V single phase/400 V+N+T)

**ET 001** Warming cupboard (230V single phase)\*

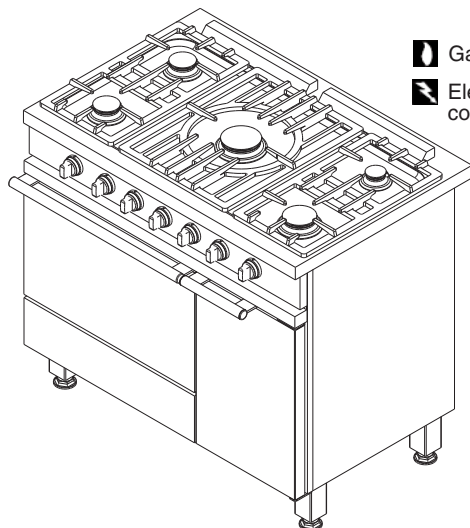
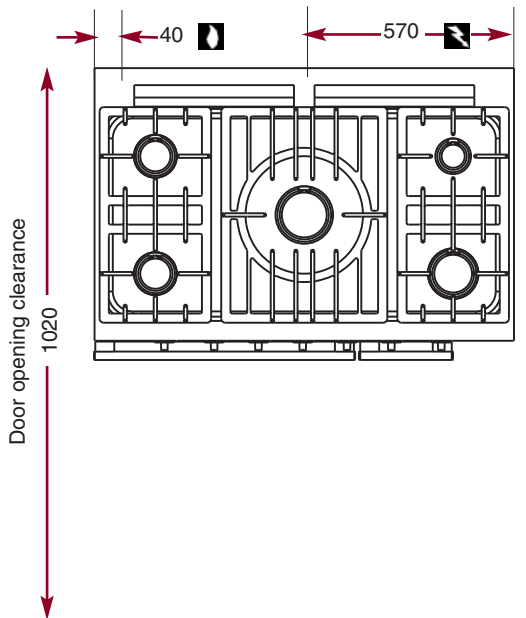
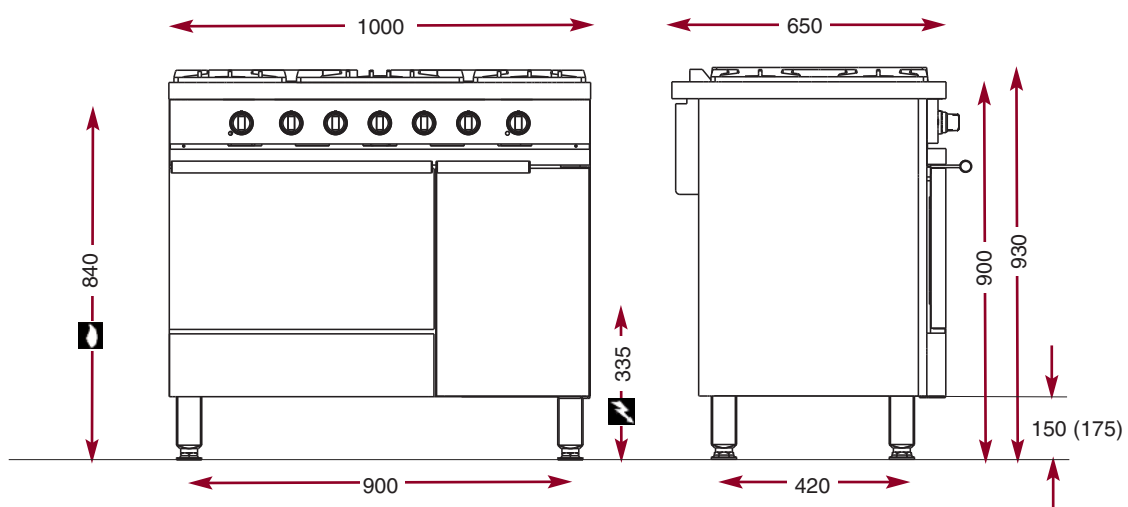
**SAM AG** Reversed cupboard position (on left)



**SGE 530** Electric grill (in convection oven)

**ECH 400** Shelf supports in cupboard for storing Gastronorm 1/1 dishes.

\*Electric installation in 230V, switchable to 400V +N + E, only.

# 5 gas burners, 1 Gastronorm 1/1 gas oven. CG 1051 GA



-  Gas connection
-  Electrical connection



*The Chef's Choice.*