

# Bain-marie on warming cabinet



## **CME 810 M.** Bain-marie GN 2/1.



Designed to take 1 Gastronorm container for any composition of multiples to a maximum depth of 150 mm.

- 30/110°C thermostat.
- Stainless steel tank with rounded corners.
- Drain valve.
- Bottom metal grate.
- Total power: 2.00 kW.
- Electric supply: 230 V single phase.
- Open bay.
- Supplied without containers, doors or shelves.

**CME 810 M** W 800 - D 650 - H 900

Shelves option - 4 levels, takes Gastronorm 1/1 containers.

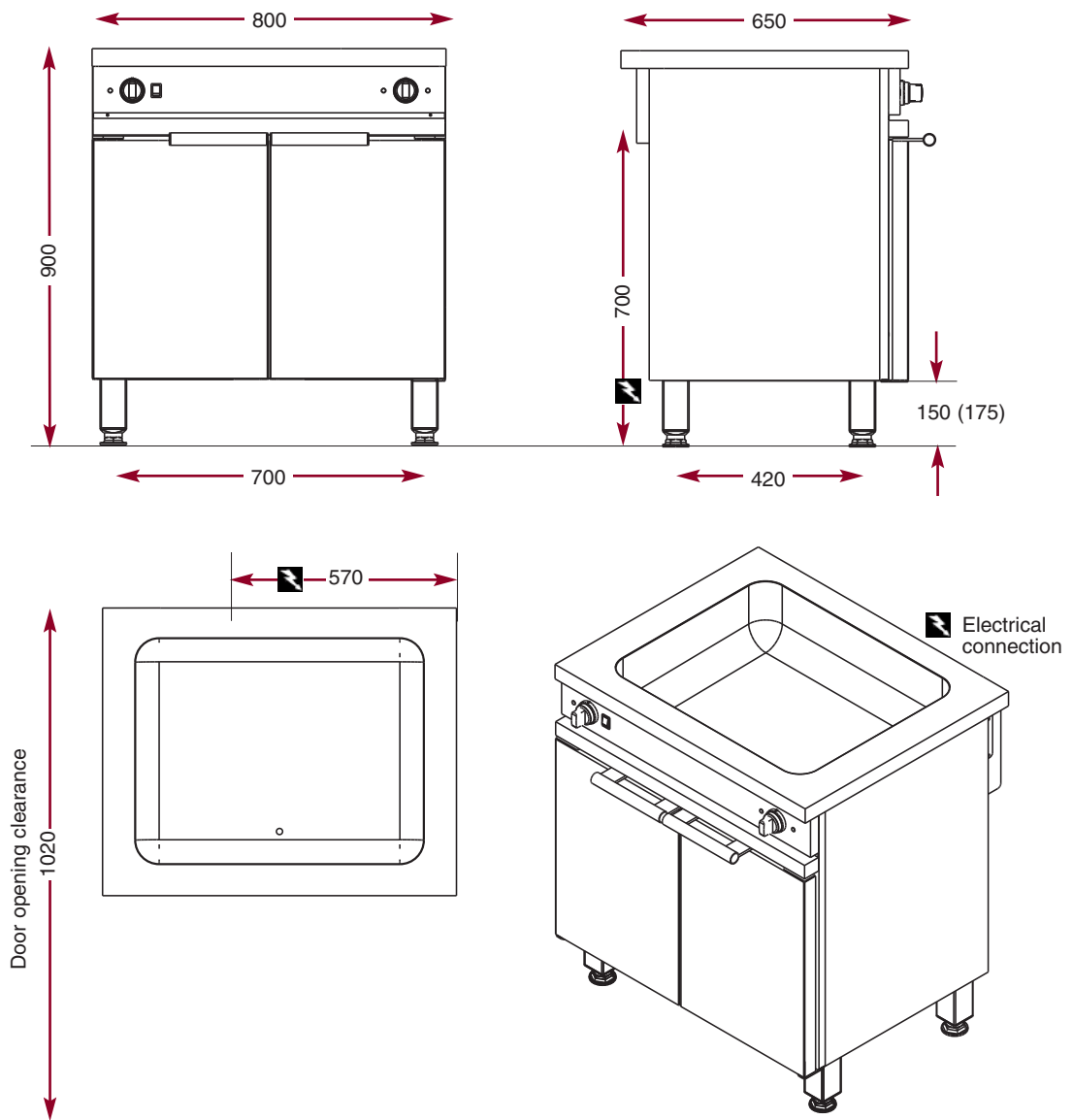
**ECH 804**

Door option.

**CPM 800**

# Bain-marie GN 2/1

# CME 810 M



*The Chef's Choice.*

N° 45-2