

# Bain-marie on warming cabinet



## CME 410 MCA.



Same features as model CME 410 M but with warming cabinet.

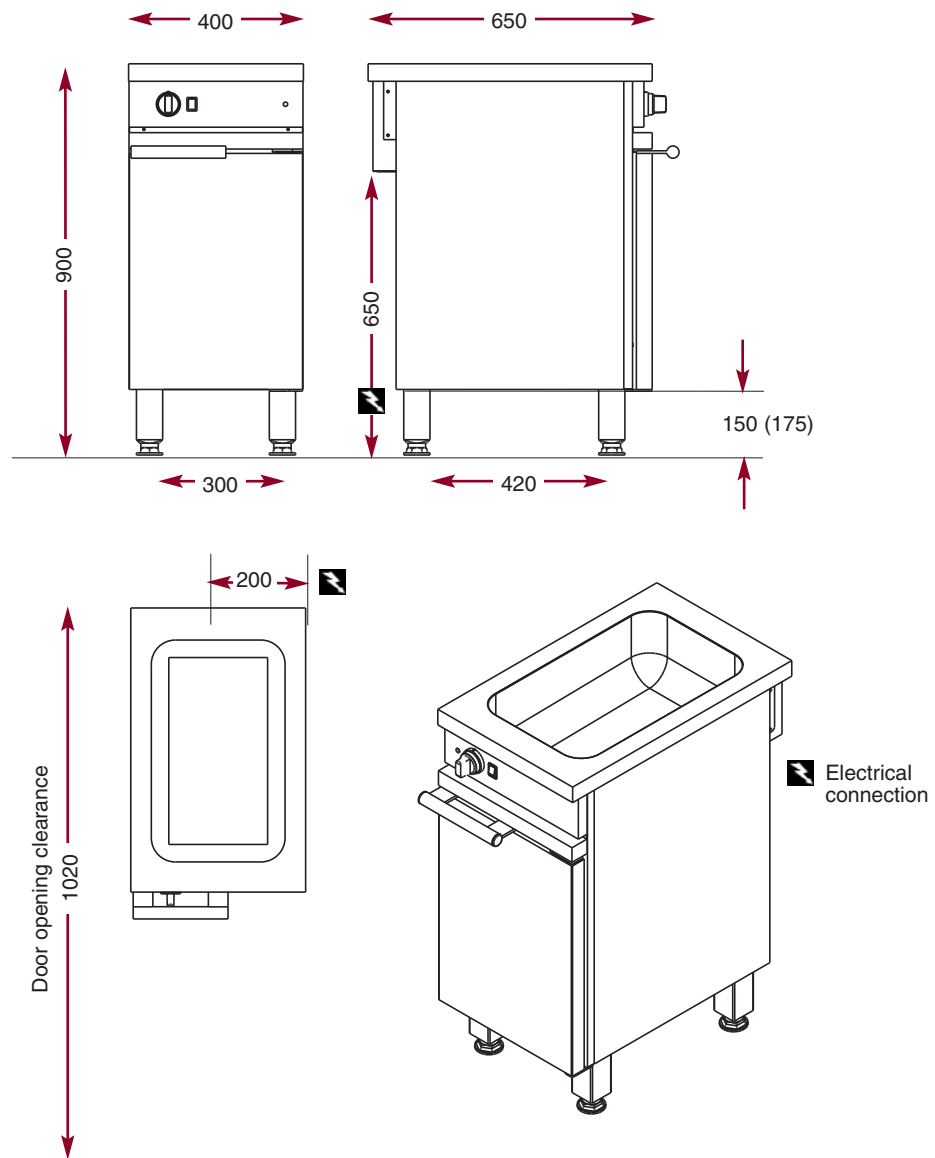
Designed to take 1 Gastronorm container for any composition or multiples to a maximum depth of 150 mm.

- 30/110°C thermostat.
- Stainless steel tank with rounded corners.
- Designed to take Gastronorm 1/1 containers, on 5 levels.
- Drain valve.
- Bottom metal grate.
- Total power: 1 kW.
- Electric supply: 230 V single phase.
- Supplied without containers or shelves.
- Open bay.

**CME 410 MCA** W 400 - D 650 - H 900

# Bain-marie GN 1/1

# CME 410 MCA



*The Chef's Choice.*