



CG 1052 P.



Cooker with 5 burners, 2 x 55 L gas ovens.

- Body and front in stainless steel.
- Stainless steel legs with adjustable feet. Height: 150/175 mm.

Hob

- Dimensions: 1000 x 650 mm.
- Thermocouple safety to each burner.
- 2 x 3 kW burners, 1 x 4 kW burner, 1 x 1.5 kW burner.
- 1 central 5 kW burner.
- Cast iron pan supports.

Oven

- Interior dimensions: W 400 - D 455 - H 305 mm.
- 2 x 3.5 kW burners with thermostatically controlled flame.
- Thermocouple safety.
- Thermostat.
- Standard equipment: 1 oven rack, 1 enamelled roasting dish.

CG 1052 P

W 1000 - D 650 - H 900

Variations:

HOB

SB 138 1 x 1.5 kW or 4 kW burner instead of 1 x 3 kW burner

SB 238 2 x 4 kW burners instead of 2 x 3 kW burners

SB 104 1 x 4 kW burner instead of the 1.5 kW

OVEN (instead of gas oven)

SFE 001 1 x static electric oven with grill (2,5 kW)

SFE 002 2 x static electric ovens with grill (230V single phase) (2 x 2.5 kW)*

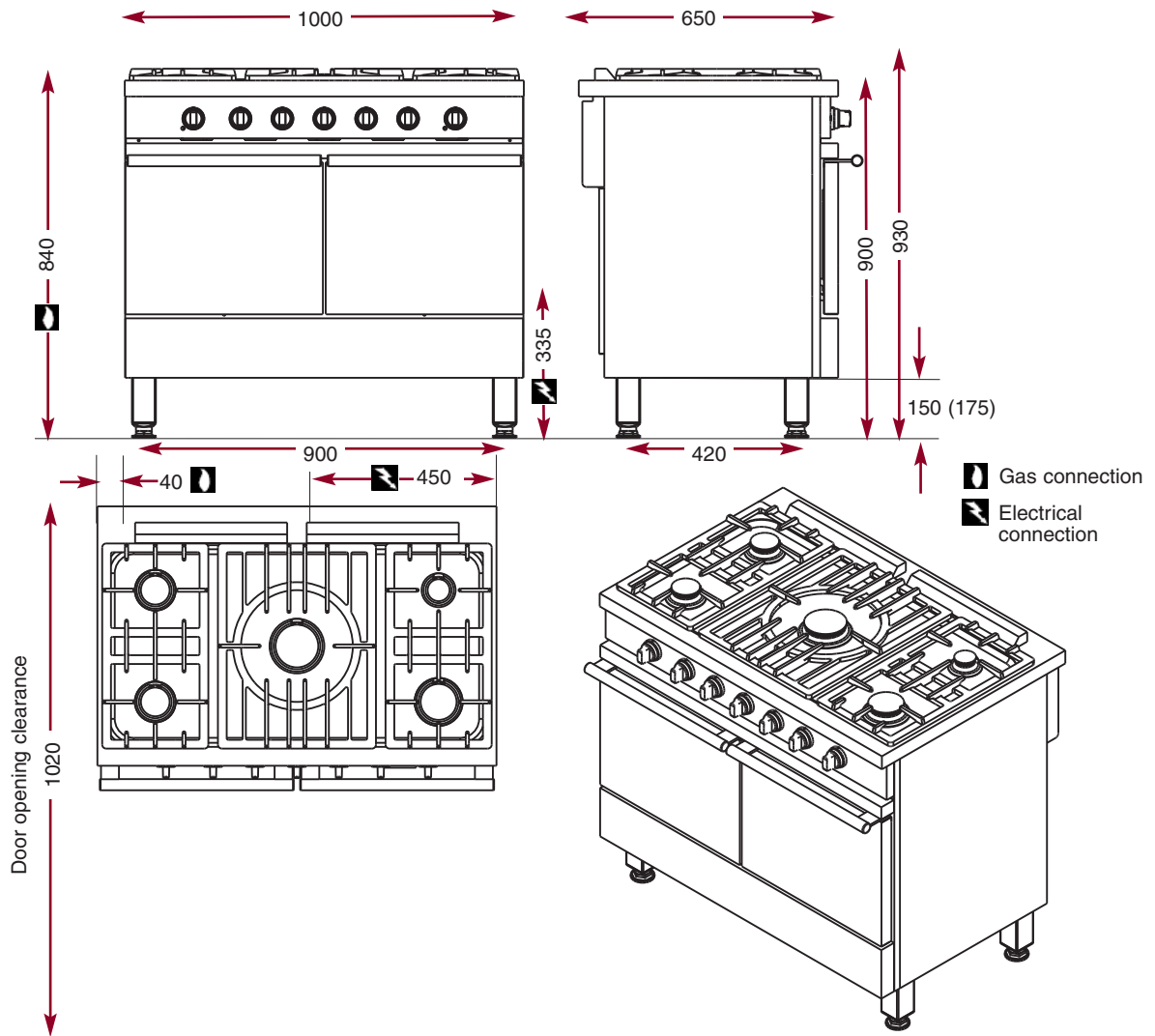
SFCT 001 1 x convection oven (2,65 kW) (230V single phase)

SGE 001 Electric grill (in convection oven)

*With 400V installation (without N phase), additional cost.

5 gas burners, 2 x 55 L gas ovens

CG 1052 P



N° 7-2

The Chef's Choice.