



Gas ranges with Gastronorm oven



CG 731 CF.

Cooker with 2 burners, 1 simmer plate,
1 Gastronorm 1/1 gas oven.

- Body and front in stainless steel.
- Stainless steel legs with adjustable feet. Height: 150/175 mm.

Hob

- Dimensions: 700 x 650 mm.
- Thermocouple safety to each burner.
- 2 x 3 kW burners, 1 x 5 kW burner.
- Cast iron pan supports.

Oven

- Interior dimensions: W 530 - D 400 - H 305 mm.
- 4 kW burner with thermostatically controlled flame.
- Thermocouple safety.
- Thermostat.
- Standard equipment: 1 oven rack.

CE

CG 731 CF

W 700 - D 650 - H 900

Variations:

HOB

SB 138 1 x 4 kW burner instead of 1 x 3 kW burner

SB 238 2 x 4 kW burners instead of 2 x 3 kW burners

SAE Electric ignition on all gas burners

OVEN (instead of gas oven)

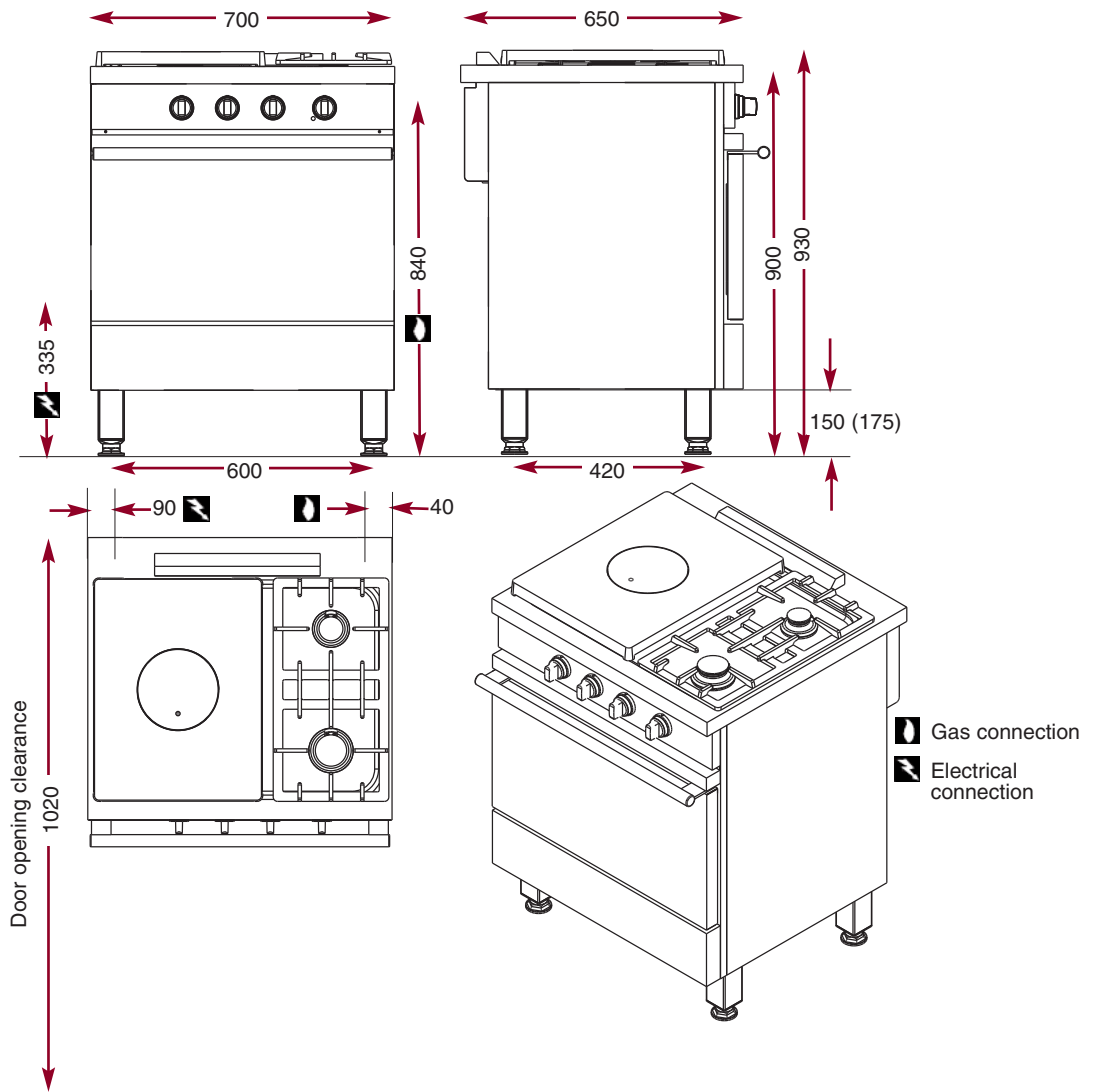
SFE 530 1 x static electric oven with grill (3.1 kW)*

SFCT 530 1 x convection electric oven (3.4 kW) (230V single phase/400V+N+E)

SGE 530 Electric grill (in convection oven)

*Electric installation in 230V, switchable to 400V +N + E, only.

2 gas burners, 1 simmer plate, 1 Gastronorm 1/1 gas oven. **CG 731 CF**



The Chef's Choice.

N° 10 - 2