



CG 1051 B.

Cooker with 5 burners, 1 x 137 L gas oven.

- Body and front in stainless steel.
- Stainless steel legs with adjustable feet. Height: 150/175 mm.

Hob

- Dimensions: 1000 x 650 mm.
- Thermocouple safety to each burner.
- 2 x 3 kW burners, 1 x 4 kW burner, 1 x 1.5 kW burner.
- 1 central 5 kW burner.
- Cast iron pan supports.

Oven

- Interior dimensions: W 400 - D 455 - H 305 mm.
- 2 x 3.5 kW burners with thermostatically controlled flame.
- Thermocouple safety.
- Thermostat.
- Standard equipment: 1 oven rack, 1 enamelled roasting dish.

Can roast a 10kg lamb, 1 large fish, 1 whole suckling pig.
This product is particularly suited for multiple uses by caterers and in maintaining the temperatures for very large dishes.

CG 1051 B

L 1000 - P 650 - H 900

Variations:

HOB

SB 138 1 x 1.5 kW or 4 kW burner instead of 1 x 3 kW burner

SB 238 2 x 4 kW burners instead of 2 x 3 kW burners

SB 104 1 x 4 kW burner instead of the 1.5 kW

SCF 1050 Tradition hob (cast iron simmer plate with removable central disk)

SGCF 1050 Top with 600 x 500 simmer plate

SAE Electric ignition on all gas burners

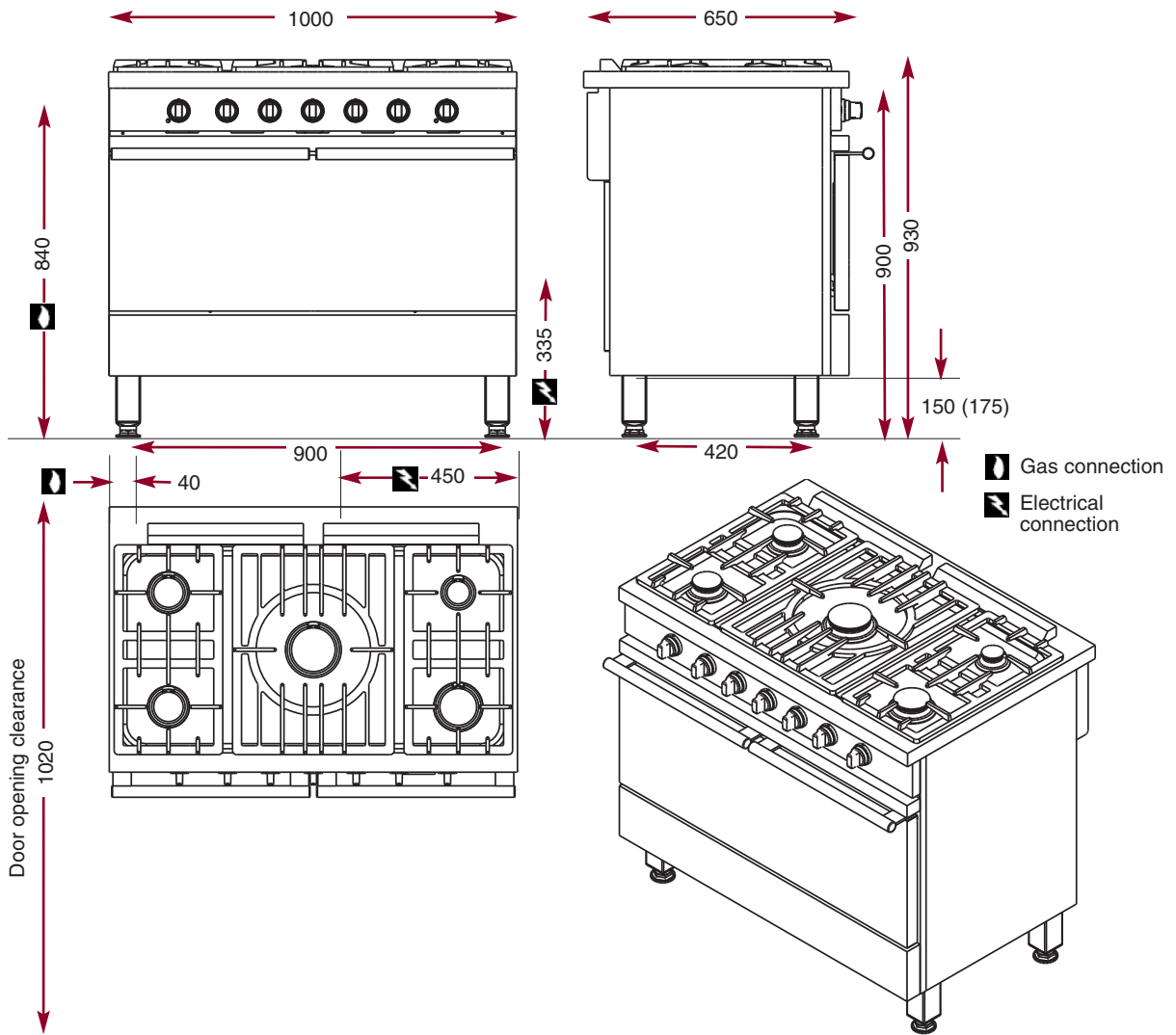
OVEN (instead of gas oven)

SFEB 001 1 x giant static electric oven with grill (5kW)*

*With 400V installation (without N phase), additional cost.

5 gas burners, 1 x 137 L gas oven.

CG 1051 B



AMBASSADE
DE BOURGOGNE

N° 8 - 2

The Chef's Choice.