



Gas ranges with Gastronorm oven



CG 721 GGCF.

CE

Cooker with 650 x 500 mm simmer plate,
1 Gastronorm 1/1 gas oven.

- Body and front in stainless steel.
- Stainless steel legs with adjustable feet. Height: 150/175 mm.

Hob

- Dimensions: 700 x 650 mm.
- 1 cast iron simmer plate (650 x 500 mm) over burners equipped with thermocouple safety.
- Power: 7 kW.
- Electric ignition.

Oven

- Interior dimensions: W 530 - D 400 - H 305 mm.
- 4 kW burner with thermostatically controlled flame.
- Thermocouple safety.
- Thermostat.
- Standard equipment: 1 oven rack.

CG 721 GGCF W 700 - D 650 - H 900

OVEN (instead of gas oven)

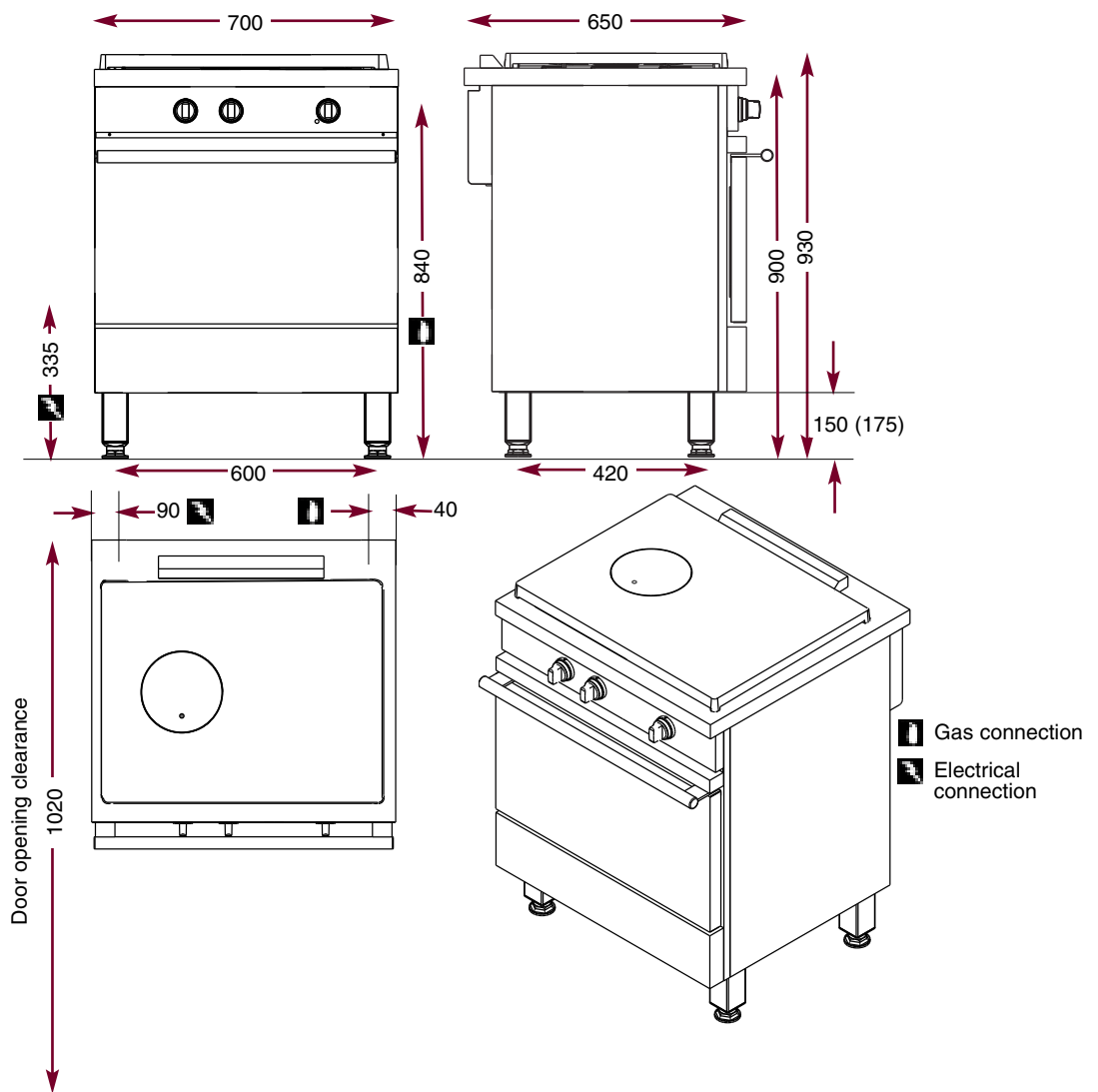
SFE 530 1 x static electric oven with grill (3.1 kW)*

SFCT 530 1 x convection electric oven (3.4kW) (230V single phase/400V+N+E)

SGE 530 Electric grill (in convection oven)

*Electric installation in 230V, switchable to 400V +N + E, only.

1 simmer plate, 1 Gastronorm 1/1 gas oven. CG 721 GGCF



The Chef's Choice.

N° 10 bis - 2